



US  
Material Handler | F-Series

# MHL 375



**328 hp (245 kW) Diesel**  
**200 kW Electric**



**141,757–146,607 lbs**



**max. 65'7"**



**FUCHS**<sup>®</sup>  
A TEREX BRAND

# TECHNICAL DATA

## OPERATING WEIGHT WITHOUT ATTACHMENTS

MHL375 F	141,757–146,607 lbs
----------	---------------------

## DIESEL ENGINE

	U.S. Tier 4 / EU Stage V	U.S. Tier 3 / EU Stage IIIA *
<b>Manufacturer and model</b>	Deutz TCD 7.8 L6	Deutz TCD 7.8 L6
<b>Design</b>	6-cylinder in-line engine	6-cylinder in-line engine
<b>Functionality</b>	4-stroke engine, direct common-rail fuel injection, turbocharger with charge air intercooling, controlled exhaust gas recirculation, diesel particle filter with a continuously regenerating system and SCR catalytic converter	4-stroke engine, direct common-rail fuel injection, turbocharger with charge air intercooling
<b>Engine power</b>	328 hp (245 kW)	328 hp (245 kW)
<b>Rated speed</b>	2,000 rpm	2,000 rpm
<b>Displacement</b>	476 cui	476 cui
<b>Cooling system</b>	Water and charge air cooling with temperature controlled fan speed	Water and charge air cooling with temperature controlled fan speed
<b>Exhaust emission standard</b>	U.S. Tier 4 / EU Stage V	U.S. Tier 3 / EU Stage IIIA *
<b>Fuel tank</b>	183 gal	183 gal
<b>DEF / Urea tank</b>	13 gal AdBlue	■

## ELECTRIC MOTOR

<b>Power</b>	220 kW
<b>Total connected load</b>	270 kW
<b>Motor start</b>	Via soft start
<b>Optional cable reel</b>	Up to 164 ft (other lengths on request)

## ELECTRICAL SYSTEM

<b>Alternator</b>	28 V / 100 A
<b>Operating voltage</b>	24 V
<b>Battery</b>	2 × 12 V / 110 Ah / 750 A
<b>Lighting system</b>	2 × LED floodlights at the front of the machine, rear parking lights and indicator lights
<b>Optional equipment</b>	30 kW DC generator with control and insulation monitoring

## TRAVEL DRIVE

Hydrostatic drive through infinitely variable axial piston motor and directly mounted travel brake valves, flanged to a transfer box, all-wheel drive

<b>Travel speed</b>	max. 5,6 mph
<b>Gradeability</b>	max. 25 %
<b>Turning radius</b>	32'9"

## SLEWING DRIVE

<b>Slewing ring</b>	Double slewing ring with inner teeth
<b>Drive</b>	2-stage planetary gear with integrated multi-disk brake
<b>Uppercarriage swing speed</b>	0–5 rpm
<b>Slewing lock</b>	Electronically activated

## UNDERCARRIAGE

<b>Front axle</b>	Planetary drive axle with integrated drum brake, rigid bearing, max. steering angle 30°
<b>Rear axle</b>	Planetary drive axle with integrated drum brake and switching oscillating lock
<b>Outrigger</b>	4-point outrigger
<b>Tires</b>	Single solid rubber tyres 28.0"–54" (SETCO)

## BRAKES

<b>Service brake</b>	Hydraulically activated single-circuit brake system that works on all four pairs of wheels
<b>Parking brake</b>	Electronically activated transmission disc brake that works on the front and rear axles

## HYDRAULIC SYSTEM

<b>Max. flow rate</b>	1 × 148 gpm and 1 × 40 gpm (for slewing)
<b>Max. operating pressure</b>	4,641 / 5,221 psi
<b>Hydraulic oil tank</b>	140 gal

## OPERATOR'S CAB

<b>Cab</b>	Vertically and horizontally adjustable to a max. viewing height of 20'8"  Soundproof, insulating panoramic windows enabling all-round visibility, windscreen with pull-down sunblind, roof skylight, cab door sliding window, sliding door
<b>Air conditioning</b>	Automatic climate control. Infinitely variable water heating with 8-speed fans, 10 adjustable nozzles, 4 set into the roof lining and 3 defrosting nozzles
<b>Operator's seat</b>	Air-cushioned comfort seat with integrated headrest, safety belt, and lower lumbar support, optional seat heating. Allows comfortable working by offering universal adjustment possibilities of the seat position, the seat incline, and the position of the seat cushion in relation to the armrests and joysticks
<b>Monitoring</b>	Ergonomically-arranged, anti-glare controls, multi-functional display, automatic monitoring and storage of deviating operating conditions, (e.g. all hydraulic oil filters, hot/cold hydraulic oil temperature, coolant temperature and charge air temperature, diesel particle filter load), visual and acoustic warning up to the point of shutting feed forward control or reducing engine output. Individual sensor diagnosis using the multi-functional display, rear camera and side camera

	U.S. Tier 4 / EU Stage V	U.S. Tier 3 / EU Stage IIIA *
<b>Noise level</b>	Sound power level (outdoor area) L <sub>WA</sub> 102.7 dB(A) (measured) as per directive 2000/14/EC L <sub>WA</sub> 104 dB(A) (guaranteed) as per directive 2000/14/EC  Sound pressure level (inside the cab) as per the standard ISO 6396 L <sub>PA</sub> 71 dB(A)	Sound power level (ambience) L <sub>WA</sub> ... dB(A) (metered) acc. to directive 2000/14/EC L <sub>WA</sub> ... dB(A) (guaranteed) acc. to directive 2000/14/EC  Sound pressure level (inside the cabin) acc. to directive ISO 6396 L <sub>PA</sub> ... dB(A)



<b>Vibrations</b>	Weighted r.m.s. value of acceleration of upper limbs under 2.5 m/s <sup>2</sup> (98 in/s <sup>2</sup> )  Weighted effective value of acceleration for the seat and feet under 0.5 m/s <sup>2</sup> (20 in/s <sup>2</sup> )
-------------------	--

Certification as per CE directives

\* for low-regulated markets

# EQUIPMENT

## DIESEL ENGINE

	Standard	Option
Intercooler and coolant radiator	●	
Direct electronic fuel injection / common rail	●	
Advanced automatic idle incl. engine shut-off function	●	
Engine preheating		●
Engine diagnosis interface	●	
Temperature-dependent fan drive	●	

## UNDERCARRIAGE

All-wheel drive	●	
Drum brakes	●	
Rear oscillating axle lock	●	
4-point stabilizers	●	
Stabilizer cylinder with integrated, double-sided shut-off valves	●	
Piston rod protection on stabilizer cylinders	●	
Tool box	●	
Special paint (customer paint work)		●
Single solid rubber tyres 28.0"-54" (SETCO)	●	
Central greasing point for hard-to-reach greasing points	●	

## UPPERCARRIAGE

Separated cooling system for engine and hydraulic oil	●	
Cooling system with temperature-dependent fan drive	●	
Reversible fan for combined water / charge air cooler and hydraulic oil cooler	●	
Automatic, central lubrication system	●	
Rear view camera	●	
Side view camera	●	
Travel alarm flashing alarm light with acoustic warning signal	●	
Electric refueling pump		●
Protection kit for headlights		●
Special paint (customer paint work)		●
External battery terminals	●	

## CAB

Vertically and horizontally cab system	●	
Sliding window in cab door	●	

## CAB

	Standard	Option
Cabin with penetration resistant glass front and top (classification P5A)	●	
Windshield washer system (windscreen)	●	
Roof washer system (roof panel)		●
Air-cushioned operator seat with headrest, seatbelt, and lumbar support	●	
Seat heating		●
Joystick steering	●	
Steering column, height and tilt adjustable		●
Automatic air conditioning system	●	
Independent heating system		●
Multifunction display	●	
Document net	●	
FOPS Guard		●
Front and FOPS Guard	●	
12 V transformer		●
Digital Radio (DAB+, USB, Bluetooth and hands-free system)	●	
12 V socket	●	
Fire extinguisher, dry powder	●	
Catwalk for cabin, access ladder included	●	

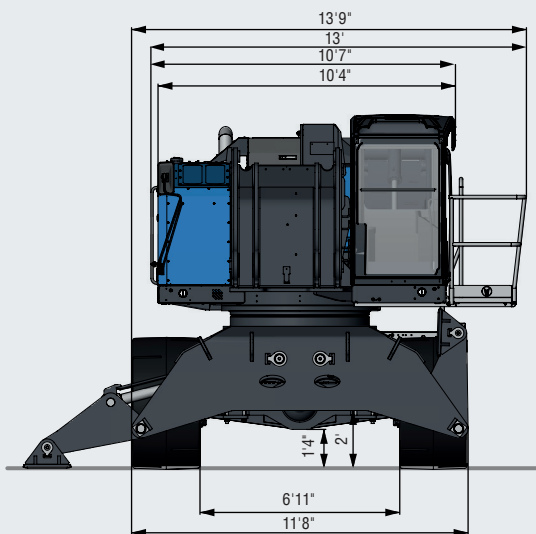
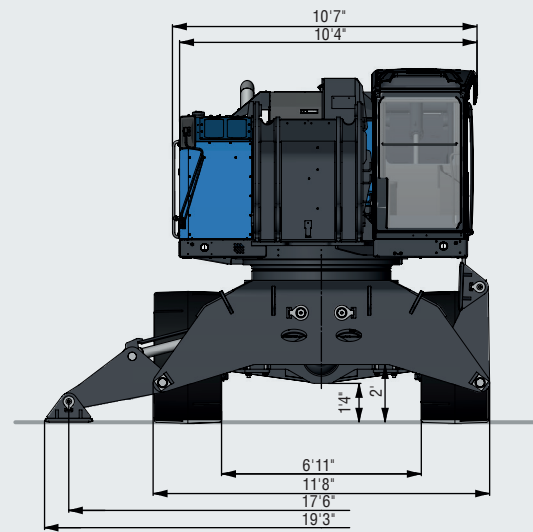
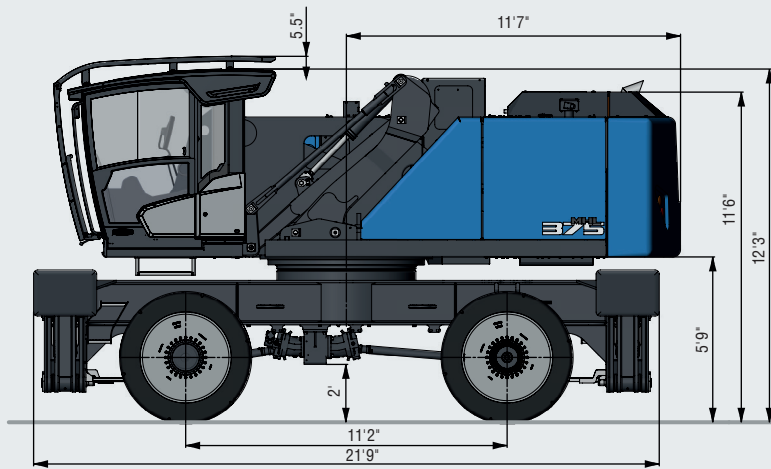
## OTHER EQUIPMENT

30 kW DC generator	●	
Close proximity range limiter for dipper stick	●	
Coolant and hydraulic oil level monitoring system	●	
Overload and working area control		●
Filter system for attachments	●	
Hose rupture valves for boom cylinder	●	
Hose rupture valves for stick cylinder	●	
Overload warning device	●	
Quick coupling on the dipperstick	●	
Dipperstick impact protection		●
Active cyclone pre-filter (TOP AIR)	●	
Hydraulic oil preheating		●
Lubrication of grab suspension by central lubrication system	●	
LED front headlights	●	
Light package 1: Power LED (stick center)	●	
Light package 2: Power LED (cabin front left and right)	●	
Light package 3: Power LED (cabin rear left)	●	
Light package 4: Power LED (uppercarriage, between lift cylinder)	●	
Light package 5: Basic LED (additional light ascent with remote control)		●
Float switch		●
Fuchs Telematics System, incl. 5 years contract	●	
Boom cylinder damping system (piston accumulator)	●	

# DIMENSIONS

## WITH VERTICALLY ADJUSTABLE CABIN

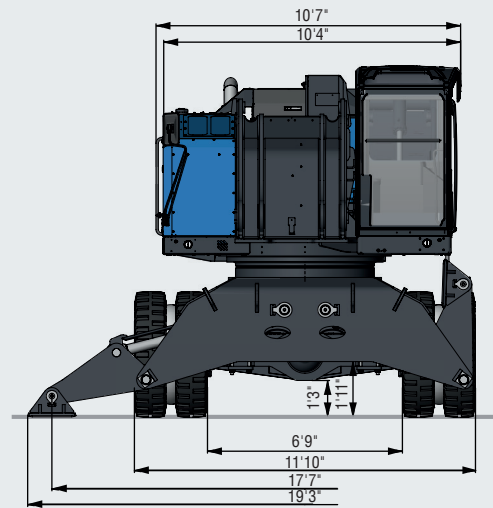
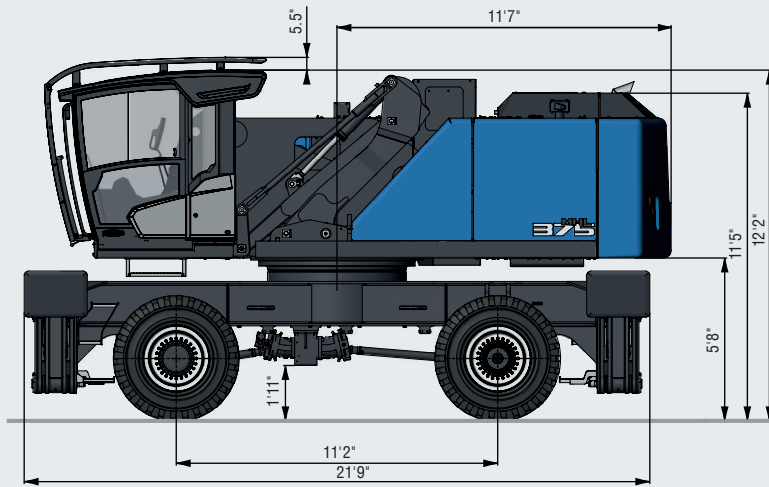
All dimensions in ft & in



# DIMENSIONS

## WITH VERTICALLY ADJUSTABLE CABIN

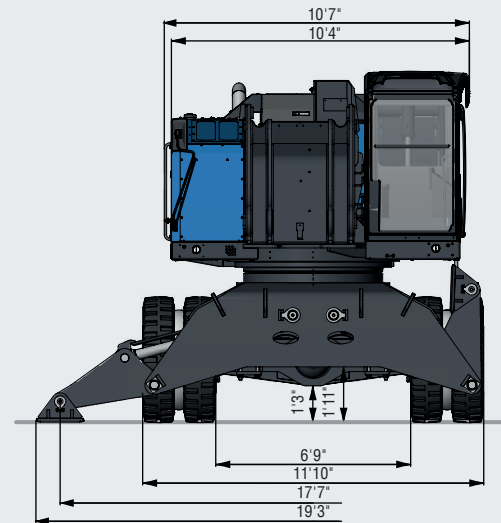
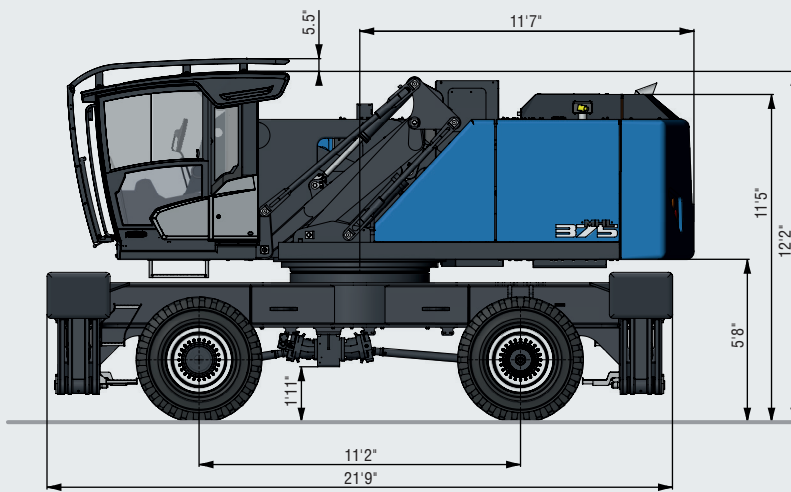
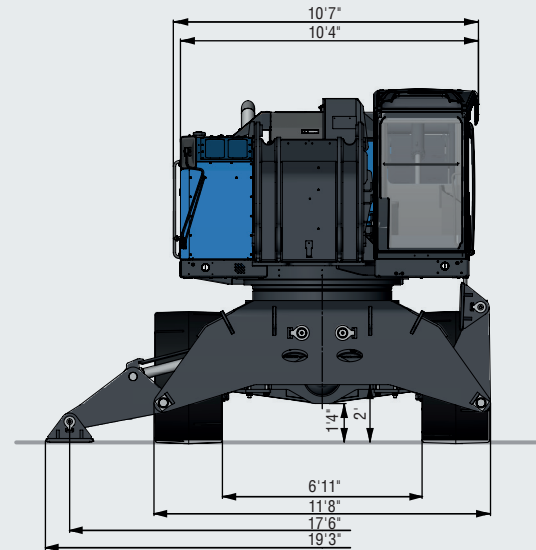
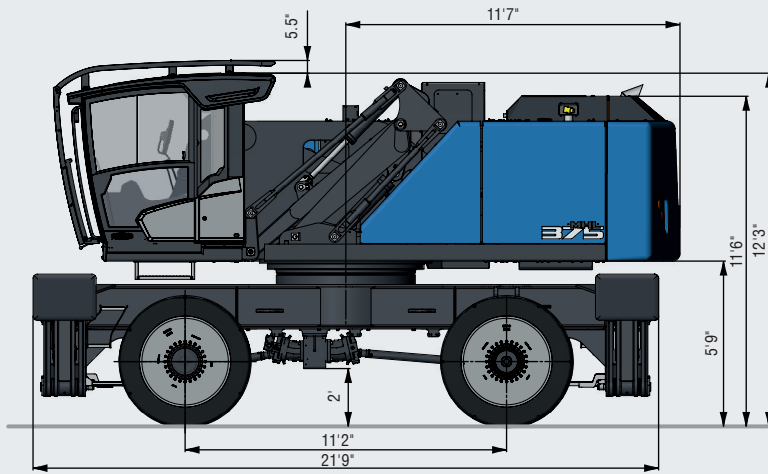
All dimensions in ft & in



# DIMENSIONS

## WITH VERTICALLY AND HORIZONTALLY ADJUSTABLE CABIN

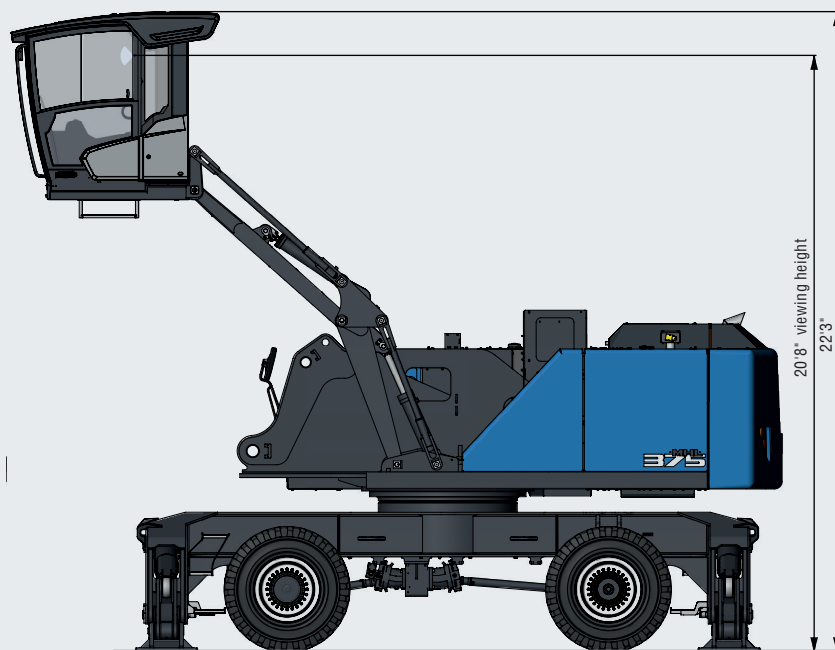
All dimensions in ft & in



# DIMENSIONS

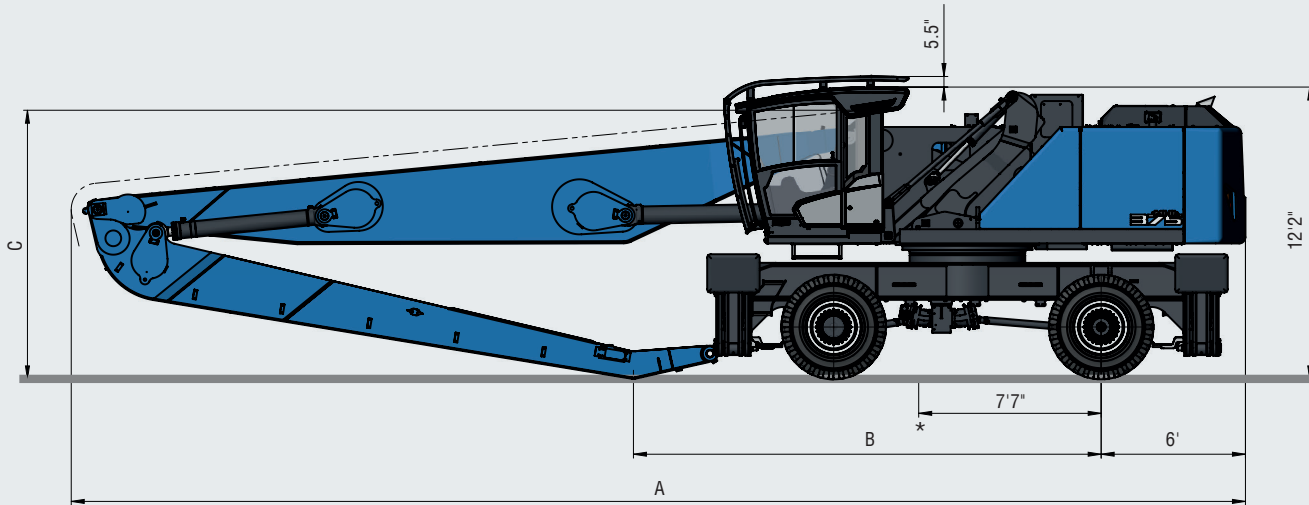
## WITH VERTICALLY AND HORIZONTALLY ADJUSTABLE CABIN

All dimensions in ft & in



# TRANSPORT DIMENSIONS

All dimensions in ft & in



\* Average center of gravity  
in transport position

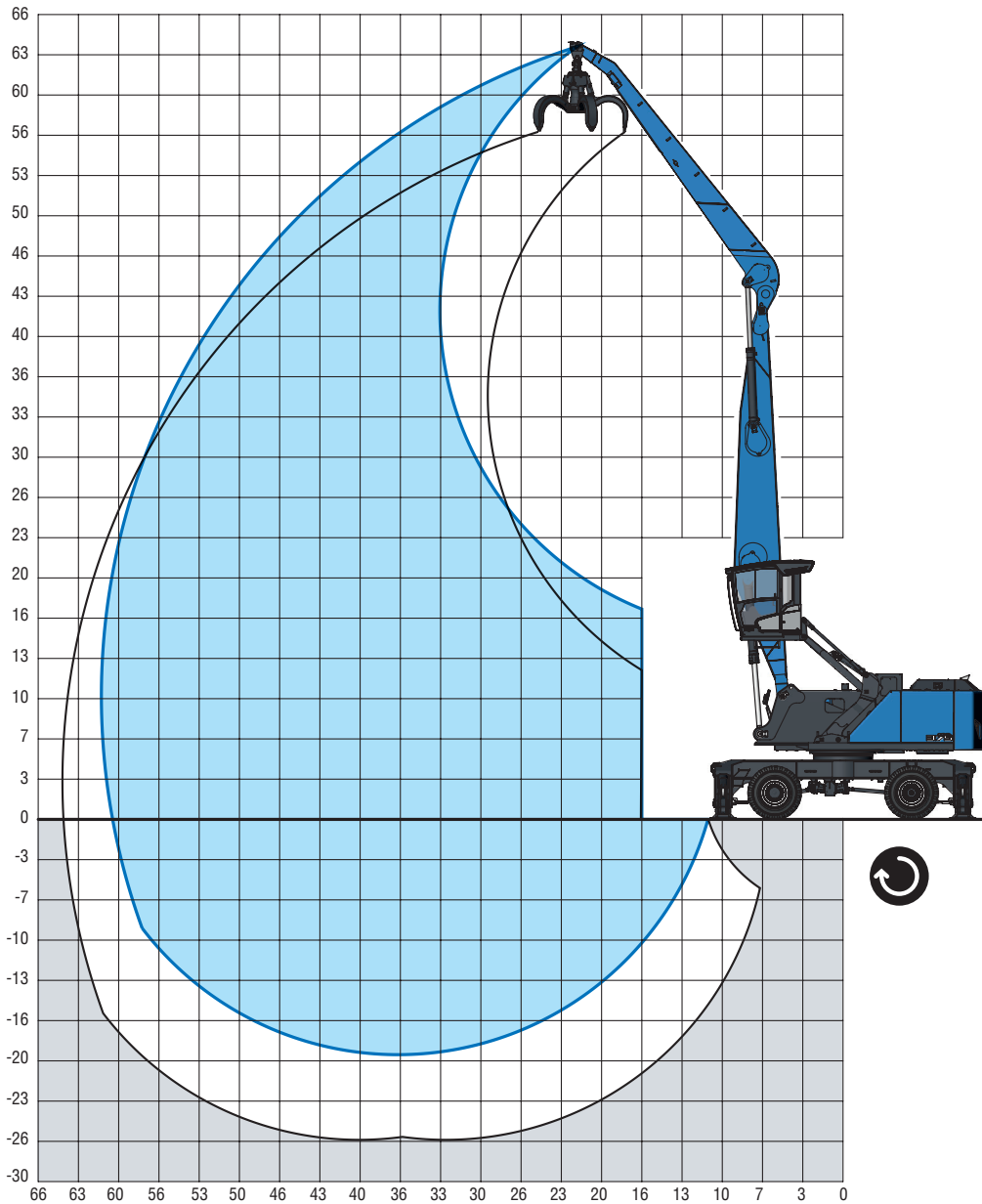
	59'	65'7"
A	49'	55'4"
B	19'6"	25'10"
C	11'3"	11'3"







# 59' WITH DIPPER STICK



### LOADING EQUIPMENT

Boom	31'6"
Dipper stick	26'3"
Cactus grab	1 yd <sup>3</sup>

### RECOMMENDED ATTACHMENTS

Recommended attachments upon request

### LIFTING CAPACITY

Reach	Attachment	Center of rotation								
		20 ft	25 ft	30 ft	35 ft	40 ft	45 ft	50 ft	55 ft	60 ft
60 ft	☞			17,100° (17,100°)						
55 ft	☞				17,900° (17,900°)					
50 ft	☞				21,200° (21,200°)	17,700° (17,700°)	11,900° (11,900°)			
45 ft	☞				22,700° (22,700°)	20,800° (20,800°)	16,900° (16,900°)			
40 ft	☞				22,700° (22,700°)	20,800° (20,800°)	19,200° (19,200°)	15,100° (15,100°)		
35 ft	☞				23,000° (23,000°)	21,000° (21,000°)	19,300° (19,300°)	17,900° (17,900°)	11,500° (11,500°)	
30 ft	☞				23,700° (23,700°)	21,400° (21,400°)	19,500° (19,500°)	17,900° (17,900°)	15,100° (15,100°)	
25 ft	☞			28,000° (28,000°)	24,600° (24,600°)	22,000° (22,000°)	19,900° (19,900°)	18,100° (18,100°)	16,500° (16,500°)	
20 ft	☞		35,800° (35,800°)	30,000° (30,000°)	25,800° (25,800°)	22,700° (22,700°)	20,300° (20,300°)	18,300° (18,300°)	16,200° (16,200°)	11,200° (11,200°)
15 ft	☞	44,100 (44,100)	39,400° (39,400°)	32,000° (32,000°)	27,100° (27,100°)	23,500° (23,500°)	20,800° (20,800°)	18,500° (18,500°)	15,900° (16,600°)	12,900° (12,900°)
10 ft	☞	44,100 (44,100)	42,400° (42,400°)	33,800° (33,800°)	28,100° (28,100°)	24,100° (24,100°)	21,100° (21,100°)	18,100° (18,600°)	15,600° (16,500°)	13,500° (13,800°)
5 ft	☞	23,100° (23,100°)	44,100 (44,100)	34,900° (34,900°)	28,800° (28,800°)	24,500° (24,500°)	20,600° (21,200°)	17,600° (18,500°)	15,300° (16,200°)	13,400° (13,700°)
0 ft	☞	18,600° (18,600°)	39,600° (39,600°)	35,000° (35,000°)	28,700° (28,700°)	23,700° (24,400°)	20,100° (21,000°)	17,200° (18,200°)	15,000° (15,600°)	12,200° (12,200°)
-5 ft	☞	18,700° (18,700°)	32,700° (32,700°)	34,100° (34,100°)	27,900° (28,200°)	23,200° (23,800°)	19,700° (20,300°)	17,000° (17,400°)	14,600° (14,600°)	
-10 ft	☞	20,000° (20,000°)	31,200° (31,200°)	31,900° (31,900°)	26,600° (26,600°)	22,400° (22,400°)	19,000° (19,000°)	16,000° (16,000°)	12,800° (12,800°)	
-15 ft	☞		31,900° (31,900°)	28,500° (28,500°)	24,000° (24,000°)	20,200° (20,200°)	16,900° (16,900°)	13,700° (13,8700°)		
<b>max. 60'4"</b>										
10 ft	☞									9,900° (9,900°)



#### Important notes regarding the load capacities

The lift capacity values are stated in imperial pounds (lbs). In accordance with ISO 10567 the lift capacity values represents 75% of the static tipping loads or 87% of the hydraulic lifting force (marked\*). On solid and level ground the values apply to a swing range of 360°. The (...) values apply in the longitudinal direction of the undercarriage. The weights of the attached load hoisting equipment (grab, load hook, etc.) must be deducted from the lift capacity values. The working load of the lifting device must be observed. In accordance with the EN 474-5 for object handling application hose rupture valves on the boom and stick cylinders, an overload warning device and the lift capacity table in the cab are required. For object handling application the machine has to be supported on a level ground.



Reach



Engine power



Service weight without attachments



Center of rotation



Height



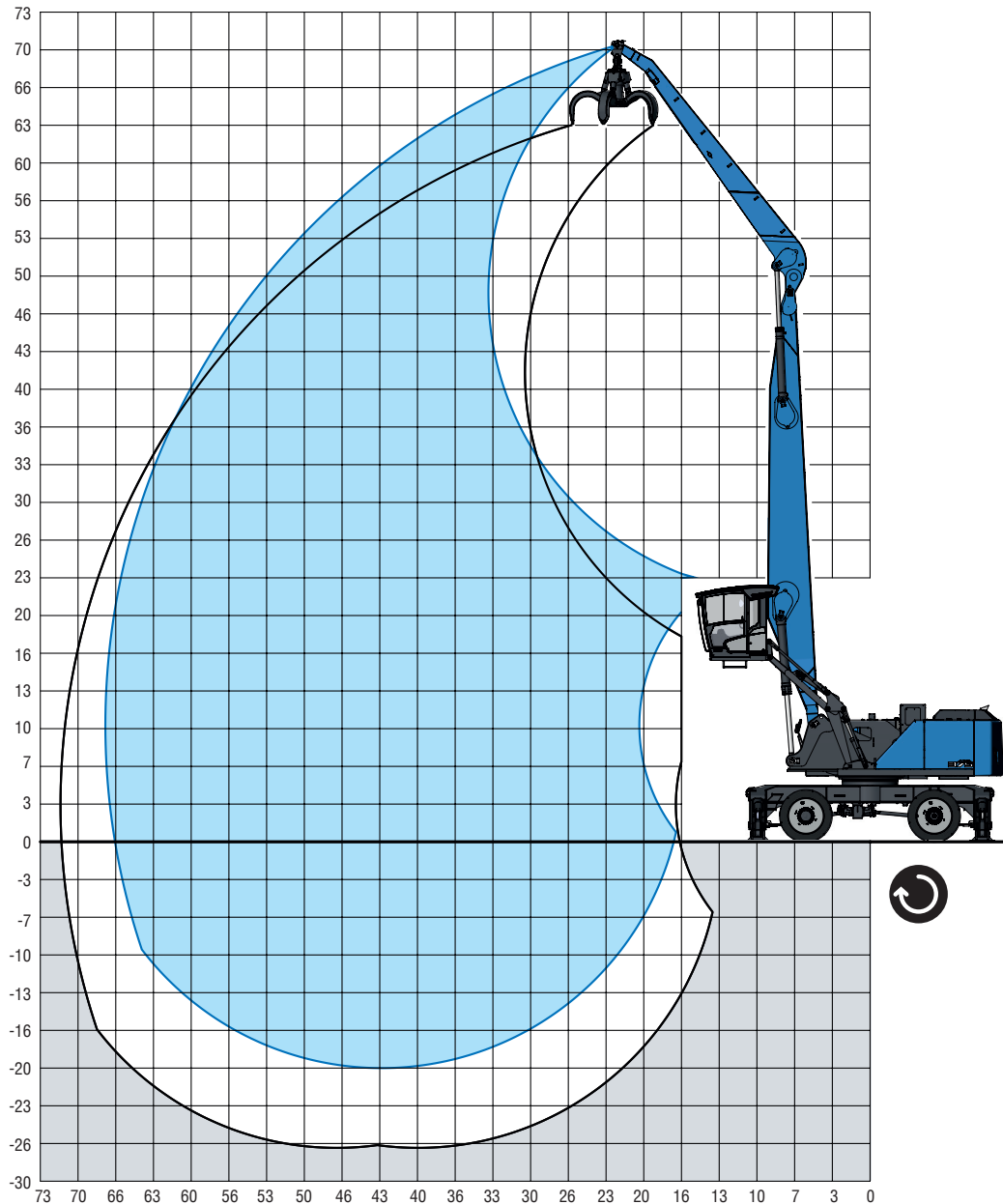
Undercarriage



4-point supported



# 65'7" WITH DIPPER STICK



### LOADING EQUIPMENT

Boom	37°9"
Dipper stick	26°3"
Cactus grab	1 yd <sup>3</sup>

### RECOMMENDED ATTACHMENTS

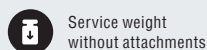
Recommended attachments upon request

### LIFTING CAPACITY

Reach	Dipper stick	Center of rotation										
		20 ft	25 ft	30 ft	35 ft	40 ft	45 ft	50 ft	55 ft	60 ft	65 ft	
65 ft	☞			19,200° (19,200°)	14,900° (14,900°)							
60 ft	☞				19,700° (19,700°)	16,000° (16,000°)						
55 ft	☞				22,100° (22,100°)	19,700° (19,700°)	16,000° (16,000°)					
50 ft	☞				22,000° (22,000°)	19,600° (19,600°)	17,700° (17,700°)	15,300° (15,300°)				
45 ft	☞				22,000° (22,000°)	19,600° (19,600°)	17,600° (17,600°)	16,000° (16,000°)	13,600° (13,600°)			
40 ft	☞				22,200° (22,200°)	19,700° (19,700°)	17,700° (17,700°)	16,000° (16,000°)	14,600° (14,600°)	10,300° (10,300°)		
35 ft	☞			26,300° (26,300°)	22,700° (22,700°)	20,000° (20,000°)	17,800° (17,800°)	16,100° (16,100°)	14,600° (14,600°)	13,000° (13,300°)		
30 ft	☞			27,300° (27,300°)	23,300° (23,300°)	20,400° (20,400°)	18,100° (18,100°)	16,200° (16,200°)	14,700° (14,700°)	13,000° (13,300°)		
25 ft	☞	41,200° (41,200°)	34,900° (34,900°)	28,500° (28,500°)	24,100° (24,100°)	20,800° (20,800°)	18,400° (18,400°)	16,400° (16,400°)	14,700° (14,700°)	13,300° (13,300°)	11,400° (11,600°)	
20 ft	☞	44,100° (44,100)	37,200° (37,200°)	29,800° (29,800°)	24,800° (24,800°)	21,300° (21,300°)	18,600° (18,600°)	16,500° (16,500°)	14,700° (14,700°)	13,000° (13,200°)	11,200° (11,700°)	
15 ft	☞	17,300° (17,300°)	39,100° (39,100°)	30,800° (30,800°)	25,500° (25,500°)	21,700° (21,700°)	18,800° (18,800°)	16,600° (16,600°)	14,700° (14,700°)	12,700° (13,100°)	11,000° (11,500°)	
10 ft	☞		25,900° (25,900°)	31,400° (31,400°)	25,800° (25,800°)	21,800° (21,800°)	18,900° (18,900°)	16,500° (16,500°)	14,200° (14,600°)	12,400° (12,900°)	10,900° (11,200°)	
5 ft	☞	6,900° (6,900°)	17,600° (17,600°)	31,200° (31,200°)	25,700° (25,700°)	21,700° (21,700°)	18,600° (18,700°)	16,000° (16,300°)	13,800° (14,300°)	12,100° (12,500°)	10,700° (10,700°)	
0 m	☞	8,500° (8,500°)	16,100° (16,100°)	30,100° (30,100°)	25,100° (25,100°)	21,200° (21,300°)	18,000° (18,300°)	15,500° (15,900°)	13,500° (13,800°)	11,900° (12,000°)	10,000° (10,000°)	
-5 ft	☞	10,600° (10,600°)	16,600° (16,600°)	27,800° (27,800°)	23,900° (23,900°)	20,300° (20,300°)	17,500° (17,500°)	15,100° (15,200°)	13,100° (13,100°)	11,100° (11,100°)	8,800° (8,800°)	
-10 ft	☞		18,000° (18,000°)	25,600° (25,600°)	22,000° (22,000°)	18,900° (18,900°)	16,300° (16,300°)	14,100° (14,100°)	12,000° (12,000°)	9,900° (9,900°)		
-15 ft	☞			22,200° (22,200°)	19,500° (19,500°)	16,900° (16,900°)	14,600° (14,600°)	12,500° (12,500°)	10,400° (10,400°)			
												<b>max. 66'5"</b>
10 ft	☞											10,000° (10,000°)

**i** Important notes regarding the load capacities

The lift capacity values are stated in imperial pounds (lbs). In accordance with ISO 10567 the lift capacity values represents 75% of the static tipping loads or 87% of the hydraulic lifting force (marked\*). On solid and level ground the values apply to a swing range of 360°. The (...) values apply in the longitudinal direction of the undercarriage. The weights of the attached load hoisting equipment (grab, load hook, etc.) must be deducted from the lift capacity values. The working load of the lifting device must be observed. In accordance with the EN 474-5 for object handling application hose rupture valves on the boom and stick cylinders, an overload warning device and the lift capacity table in the cab are required. For object handling application the machine has to be supported on a level ground.



# MODULAR SYSTEM

## ATTACHMENTS



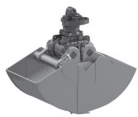
Cactus grab



Timber grapple



Magnet plate

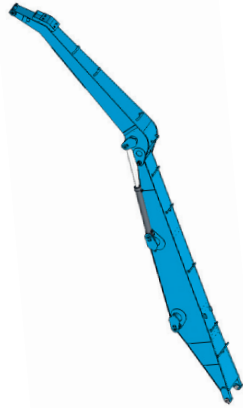


Clamshell grab

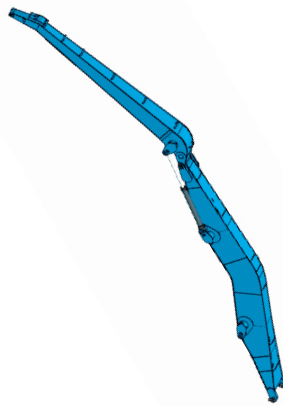


Load hook

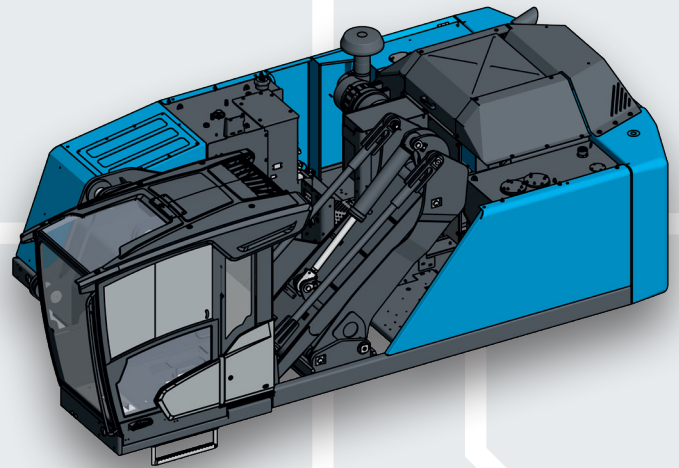
## LOADING EQUIPMENT



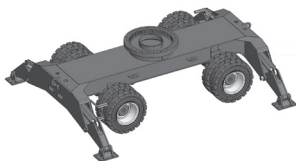
Straight



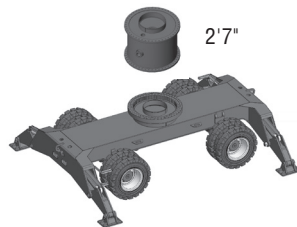
Banana boom



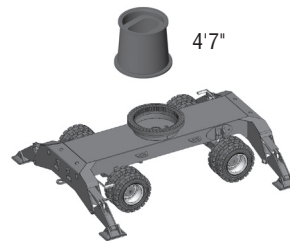
## UNDERCARRIAGES



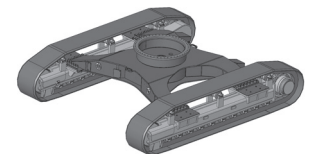
Standard-undercarriage



Standard-undercarriage

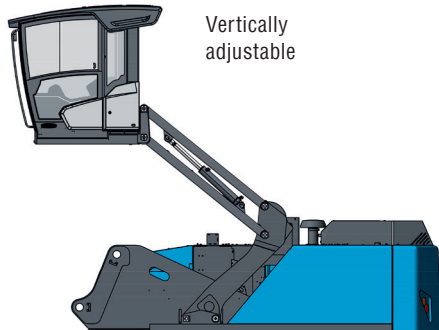


XL-undercarriage

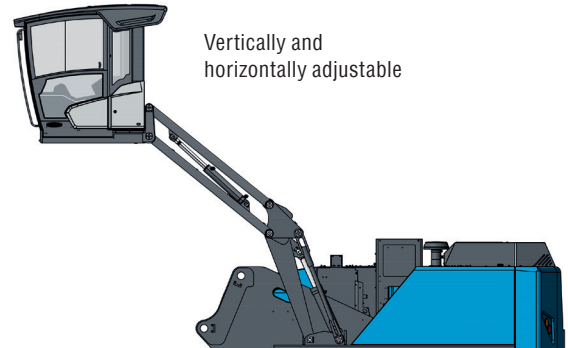


Crawler

CAB SYSTEMS

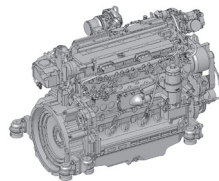


Vertically adjustable

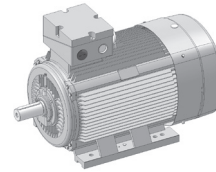


Vertically and horizontally adjustable

ENGINES

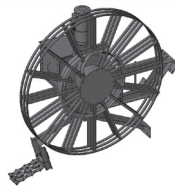


Diesel engine

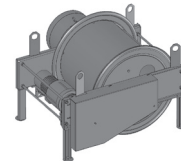


Electric motor

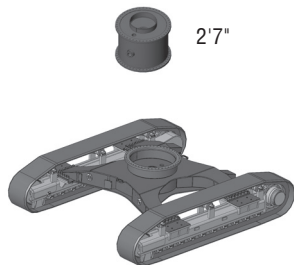
OPTIONS



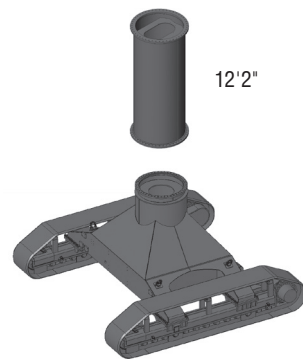
Cable reel



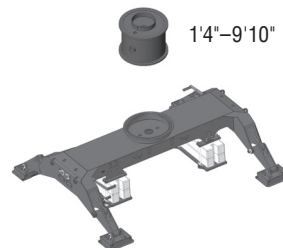
Cable drum



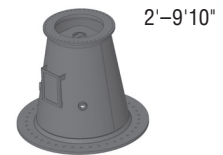
Crawler



Crawler: XL-undercarriage



AHL Standard-undercarriage



AHL Pylon



**WORKS FOR YOU.™**

[www.terex-fuchs.com](http://www.terex-fuchs.com)

May 2021. Product specifications and prices are subject to change without notice or obligation. The photographs and/or drawings in this document are for illustrative purposes only. Refer to the appropriate Operator's Manual for instructions on the proper use of this equipment. Failure to follow the appropriate Operator's Manual when using our equipment or to otherwise act irresponsibly may result in serious injury or death. The only warranty applicable to our equipment is the standard written warranty applicable to the particular product and sale and Terex makes no other warranty, express or implied. © Terex Corporation 2021 · Terex, the Terex Crown design, Fuchs and Works For You are trademarks of Terex Corporation or its subsidiaries.

Terex® Deutschland GmbH | Industriestraße 3 | 76669 Bad Schönborn | Germany | Fon: +49 (0) 7253 84-0 | Fax: +49 (0) 7253 84-102 | [info@terex-fuchs.com](mailto:info@terex-fuchs.com)

